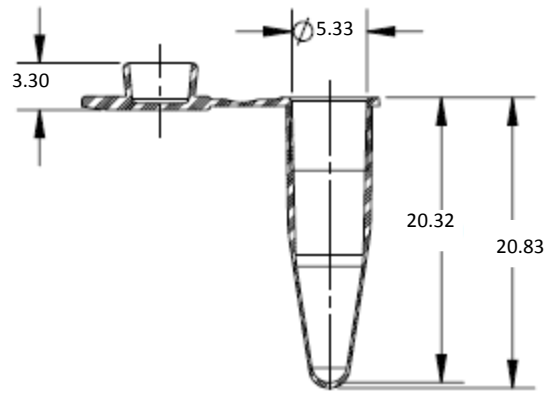
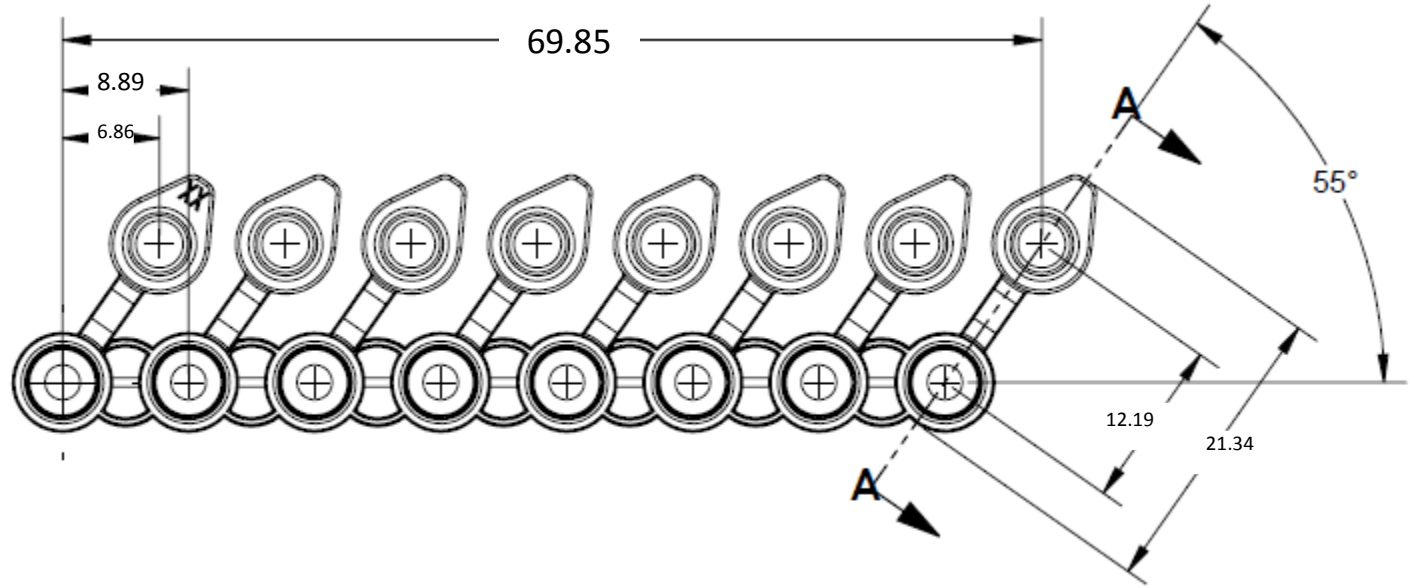
	Identification number		QC – 0353	
	Title		Technical drawing 4ti-0792	
	Revision	001	Effective date	24.07.2014
	Document owned by	QC	Page	1



SECTION A-A

